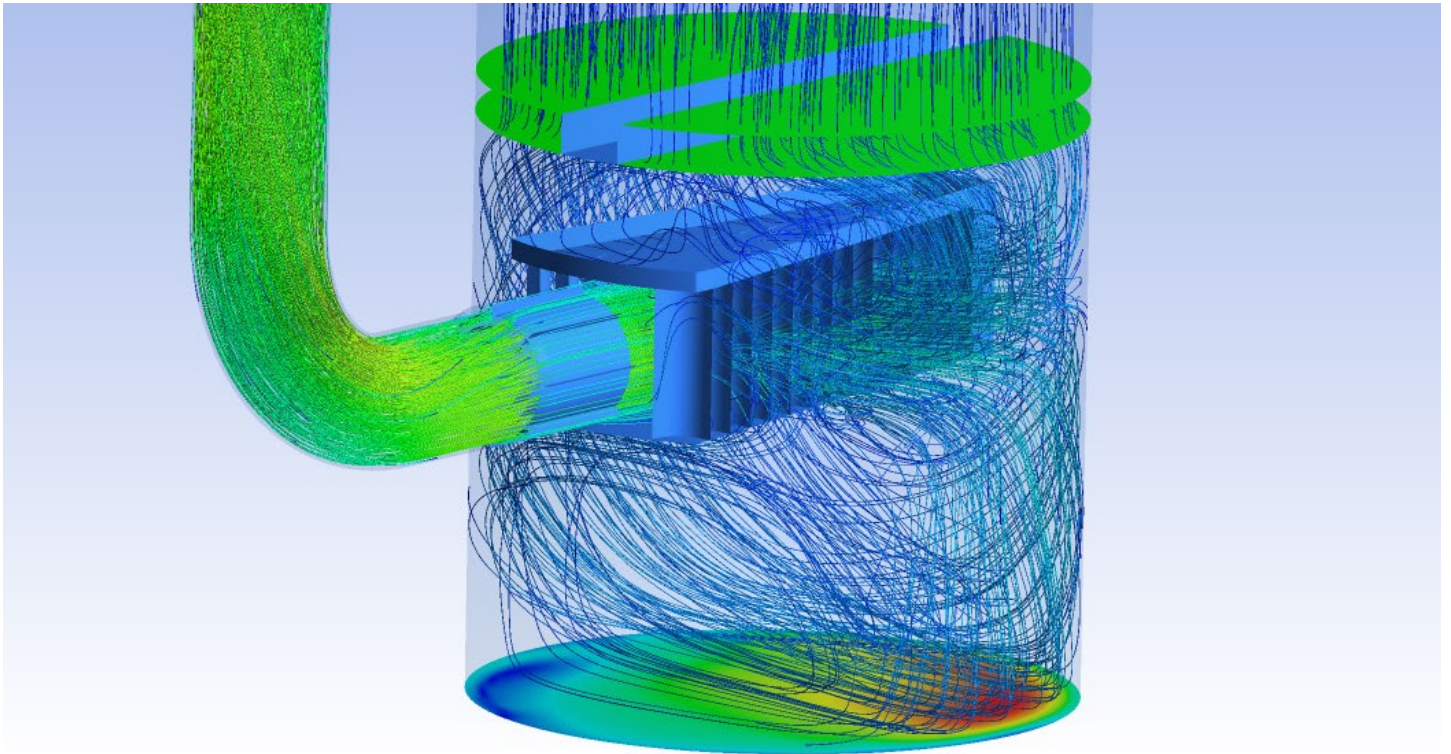


CFD

Computational Fluid Dynamics



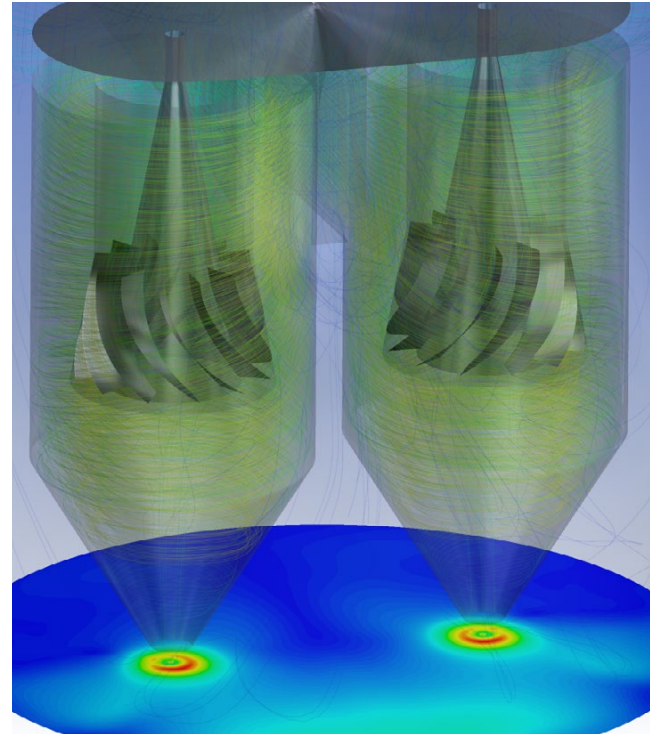
Swift TG Solutions is an integrated engineering consultancy, specialising in advanced engineering analysis and optimised product design. We utilise a range of advanced analytical and simulation methods including Computational Fluid Dynamics (CFD).

What is Computational Fluid Dynamics (CFD)?

CFD, also referred to as flow simulation, is a computer simulation technique that allows detailed analysis of fluid flow through any product. It allows the fluid mass flow, velocity, density, temperature, pressure, concentration or any derived fluid property to be calculated at all locations within the flow field. The interaction of the fluid with its solid boundaries, such as fluid-dynamic forces and heat transfer rates can also be calculated accurately for use in stress analysis. CFD can be used to: calculate design mass flow rates, pressure drops and heat transfer rates together with fluid dynamic forces - lift, drag and pitching moments.

The power of CFD

CFD analysis can be used early in the design process to help evaluate, validate and optimise product performance prototype; eliminating problems before they appear and reducing product development time and costs.

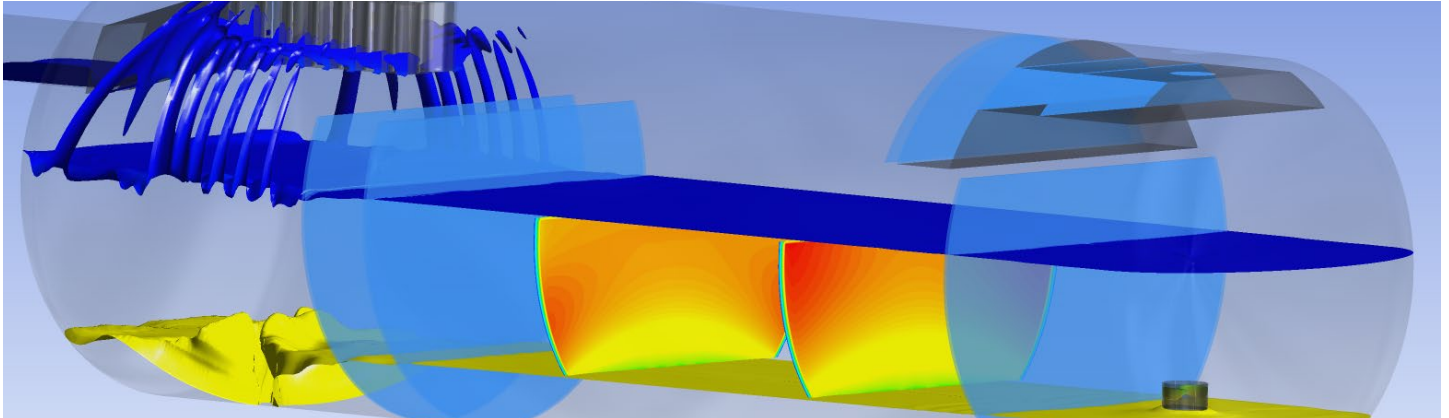


Swift TG Solutions CFD Consultancy Services

Swift TG Solutions CFD consultancy services include multi-phase flows, heat transfer, hydrodynamics, aerodynamics, industrial fluid dynamics and fluid structure Interaction.

- Calculate system performance
- Test potential design improvements

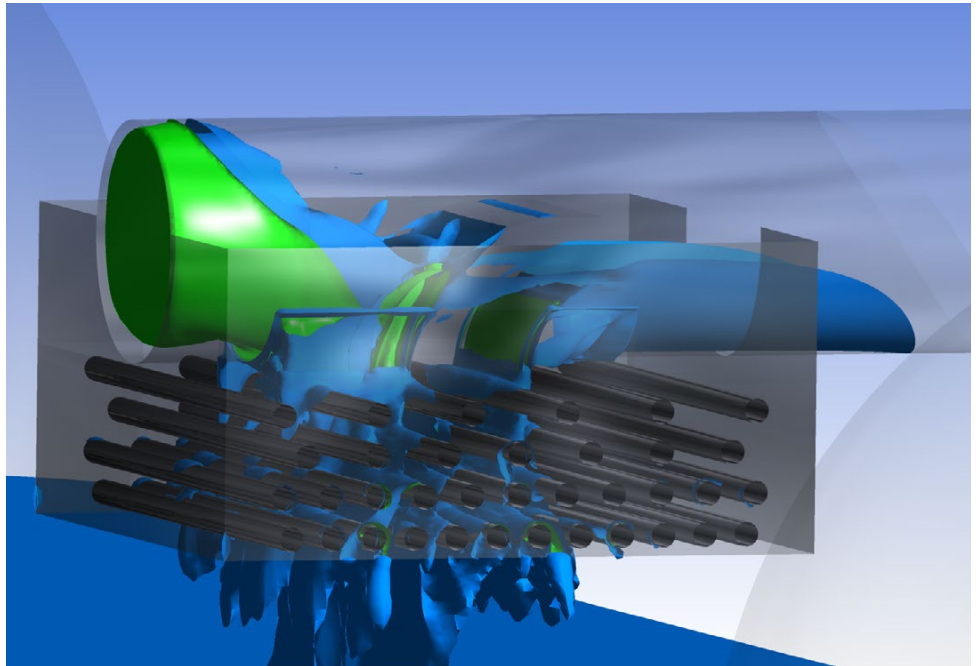
- Comparing effects of geometry and flow conditions
- Design Validation
- Regulation performance review
- Performance verification
- Clarification of flow mechanisms
- Prediction of scale-up effect
- Support and enhance in-house models
- Technical audits of client or third party models



Why Swift TG Solutions?

Whether you are new to CFD, need detailed CFD analysis or require CFD support, Swift TG Solutions is here to help.

Swift TG Solutions has successfully delivered numerous independent CFD analyses to high profile companies worldwide and our highly experienced CFD engineers have a wealth of experience that spans across a number of different markets.



We are flexible and adapt to our customer's needs offering guidance and advice on all aspects of flow dynamics together with the whole range of CFD consultancy services. Moreover, our solutions are un-biased and can be tailored to our customer's exact requirements and environments.



FPAL Supplier
No. 10051415



FM564062



FM564062

Swift TG Solutions

Hangar 2, Scottow Enterprise Park, Lamas Road, Badersfield, NR10 5FB

Tel: +44 (0) 1603 738921

info@swifttgsolutions.com swifttgsolutions.com